



Free Standing 2 Bulb Warmer



Intertek
3154156

Conforms to ANSI/UL Std. 197.
Cert. to CAN/CSA Std. C22.2 No. 109.



ANSI/NSF 4
29AV

Item: W62 (model# HL-2A)

01/2011

Please read and keep these instructions. Indoor use only.

Introduction, Requirements and Safety

Introduction

1. Please read instructions before using this appliance.
2. When using electrical appliances, basic precautions should always be followed to reduce the risk of fire, electric shock and injury.
3. Clean machine thoroughly before and after each use following the cleaning instructions provided below.

Electrical Requirements

Plug warmer into a grounded outlet with correct voltage and sufficient power capacity. Refer to the product label (serial plate) on the warmer for voltage and wattage requirements.

Safety Instructions

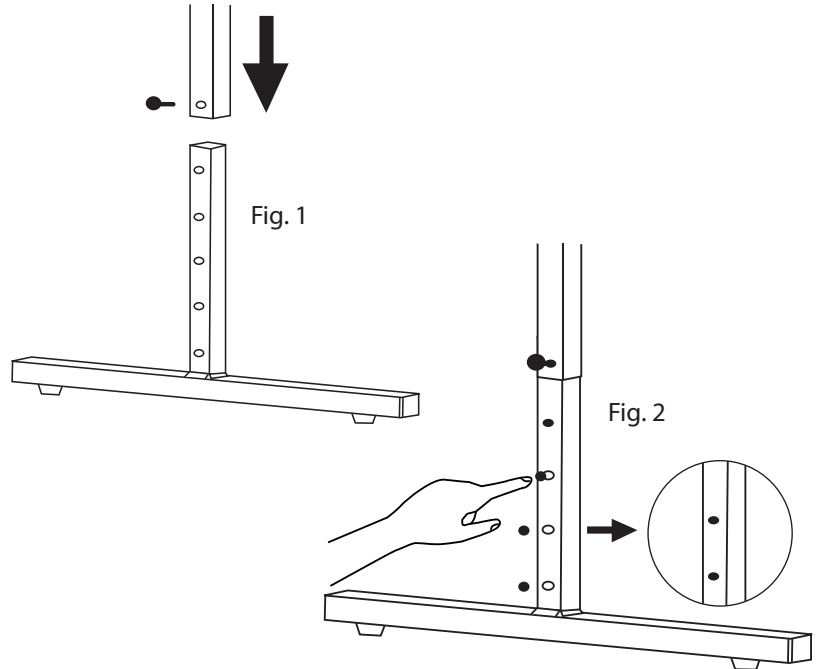


WARNING! All power must be disconnected at power source before any service procedure is performed.

1. This appliance is hot when in use. To avoid burns, do not let bare skin touch hot surfaces. Keep combustible materials, such as drapes and other furnishings, away from appliance.
2. Extreme caution is necessary when any appliance is used by or near children and whenever the appliance is left unattended.
3. Always unplug appliance when not in use and before cleaning, adjusting or maintaining this machine. To disconnect appliance, turn switch off and remove plug from power source.
4. Do not operate any appliance with a damaged cord or plug, after the appliance malfunctions, has been dropped or damaged. Return appliance to an authorized service facility for examination, electrical or mechanical adjustment or repair.
5. Do not use outdoors. This appliance is not intended for wet or moist locations. Never locate appliance where it may fall into water.
6. Connect to properly grounded outlets only. Avoid the use of extension cords. Do not run cord under carpeting, runners or the like. Arrange cord away from traffic area and where it will not create a tripping hazard.
7. This appliance is equipped with a power cord with a three blade plug. Plug **ONLY** into a matching three blade outlet. **DO NOT** cut or break off the third blade or attempt to use with a two blade extension cord.
8. To prevent a possible fire, it is recommended that the unit is placed on a non-combustible surface.
9. This appliance has electrical parts. Do not use it in areas where gasoline, paint, or flammable liquids are used or stored.

Preparation

1. Set the unit on a flat surface.
2. Insert the Supporter Arm into the Stand. [Fig. 1]
3. Adjust the Supporter to appropriate height and insert the screw to fix the height.
4. After the desired height is set, be sure to insert the rubber plugs to plug the threaded holes which are exposed. [Fig. 2]
5. Install bulbs with the appropriate wattage rating as indicated on the warmer.



Operation

1. Plug cord into grounded electrical outlet of the correct voltage. Electrical shock can occur if appliance is not grounded.
2. Place food products in a pan, located directly under the bulbs for best results.
3. Turn unit off when not in use.
4. To disconnect appliance, turn switch off and remove plug from power source.

Cleaning

NOTE: Proper maintenance plays an important part in the life span and functioning of the warmer.

1. Unplug the cord and let warmer cool before cleaning or moving.
2. This unit can be cleaned with a damp sponge and mild soap. Rinse with clean water and wipe dry.
3. Do not immerse in water or other liquid.

Maintenance

Bulb Replacement

NOTE: Each standard heat lamp is suitable for use with clear or infrared heat lamp bulbs rated at or below 250 watts.

1. To replace a bulb, place the switch in the OFF position and allow the bulb to cool completely.
2. Bulbs have a threaded base; unscrew the bulb counterclockwise from the unit and replace with a new bulb.



FOR SAFE AND PROPER OPERATION, DO NOT INSTALL A BULB BEYOND 250 WATTS INTO THE UNIT.

Limited Warranty

All equipment, which is sold under Avantco trademark and used for commercial purpose is warranted against defects in materials and workmanship. The warranty runs for one year from the date of original installation and is for the benefit of the original purchaser only. All other Warranties, Expressed or Implied, Statutory or Otherwise, including Without Limitation any implied Warranty of Merchantability or Fitness for Purposes are excluded. The Seller shall in no event be liable for direct, indirect or consequential damages in connection with Avantco commercial products.

This warranty is not effective if damage occurs because of accident, carelessness, improper installation, lack of proper set – up, supervision when required or if the equipment is installed or operated in any manner contrary to the installation and operating instructions. Work performed by unauthorized personnel or unauthorized service agencies voids this Warranty.